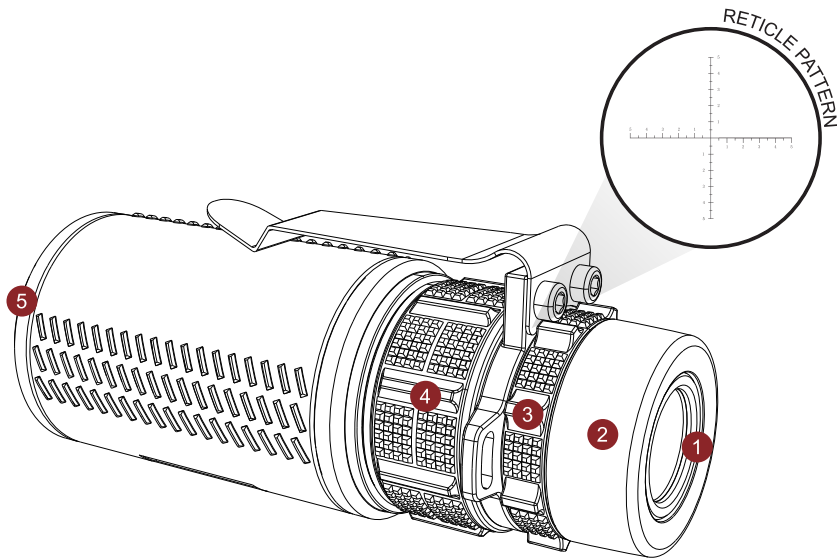


USER MANUAL FOR PARAGON MONOCULAR



- 1 Eye Piece
- 2 Twist-Up Eyecup
- 3 Diopter Adjustment Ring
- 4 Focus Ring
- 5 Objective Lens

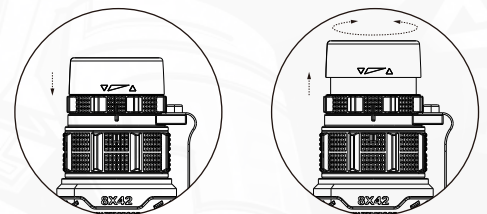


Never Look Directly At The Sun With Your Monocular, As It May Cause Serious Damage To Your Eyes.

NOTE: Remove the caps on the front and back of the monocular before use.

EYECUP

The monocular is fitted with eyecup delivering a comfortable view of the full field. If you do not wear glasses when viewing, the monocular is used with the eyecup fully extended. If you wear glasses when viewing, the monocular is used with the eyecup set in closer.



FOCUSING AND DIOPTRER SETTING

The monocular features a focus ring adjustment that allows you to turn the subject image for maximum sharpness for any range from its minimal yards to infinity. Simply turn the focus ring until the subject is focused and has maximum sharpness.

Rotate the diopter ring until the reticle is sharp for your eyesight.

MAINTENANCE

Your monocular, though amazingly tough, is a precision instrument that deserves reasonable cautious care.

- When cleaning the lens, first blow away any dirt and dust, or use a soft lens brush. Fingerprints and lubricants can be wiped off with lens tissue, or soft microfiber clean cotton cloth, moistened with lens cleaning fluid.
- All moving parts of the monocular are permanently lubricated. Do not try to lubricate them.
- No maintenance is needed on the monocular's external surface, except to occasionally wipe off dirt fingerprints with a soft cloth.

STORAGE

Avoid storing the monocular in hot places, such as the passenger compartments of vehicles on hot days. The high temperatures could adversely affect the lubricants and sealants. A vehicle's trunk, a gun cabinet, or a closet is preferable. Never leave the device where direct sunlight can enter either the optics lens.



Protect the monocular from drop or impact and do not force any of the moving parts beyond the limits. Do not disassemble the monocular by yourself.

RETICLE PATTERN

The monocular features MIL (Milliradian) reticle, meaning that 1/10MIL = 1cm at 100 meters (0.36" at 100 yards).

To measure the target size by a simple formula when the range is known:

$$\text{Target Size (Yards / Meters)} = \frac{\text{Cross-scale Reading} \times \text{Range (Yards / Meters)}}{1000}$$

$$\text{Target Size (Inches)} = \frac{\text{Cross-scale Reading} \times \text{Range (Yards)}}{27.8}$$

VECTOR OPTICS[®].COM

